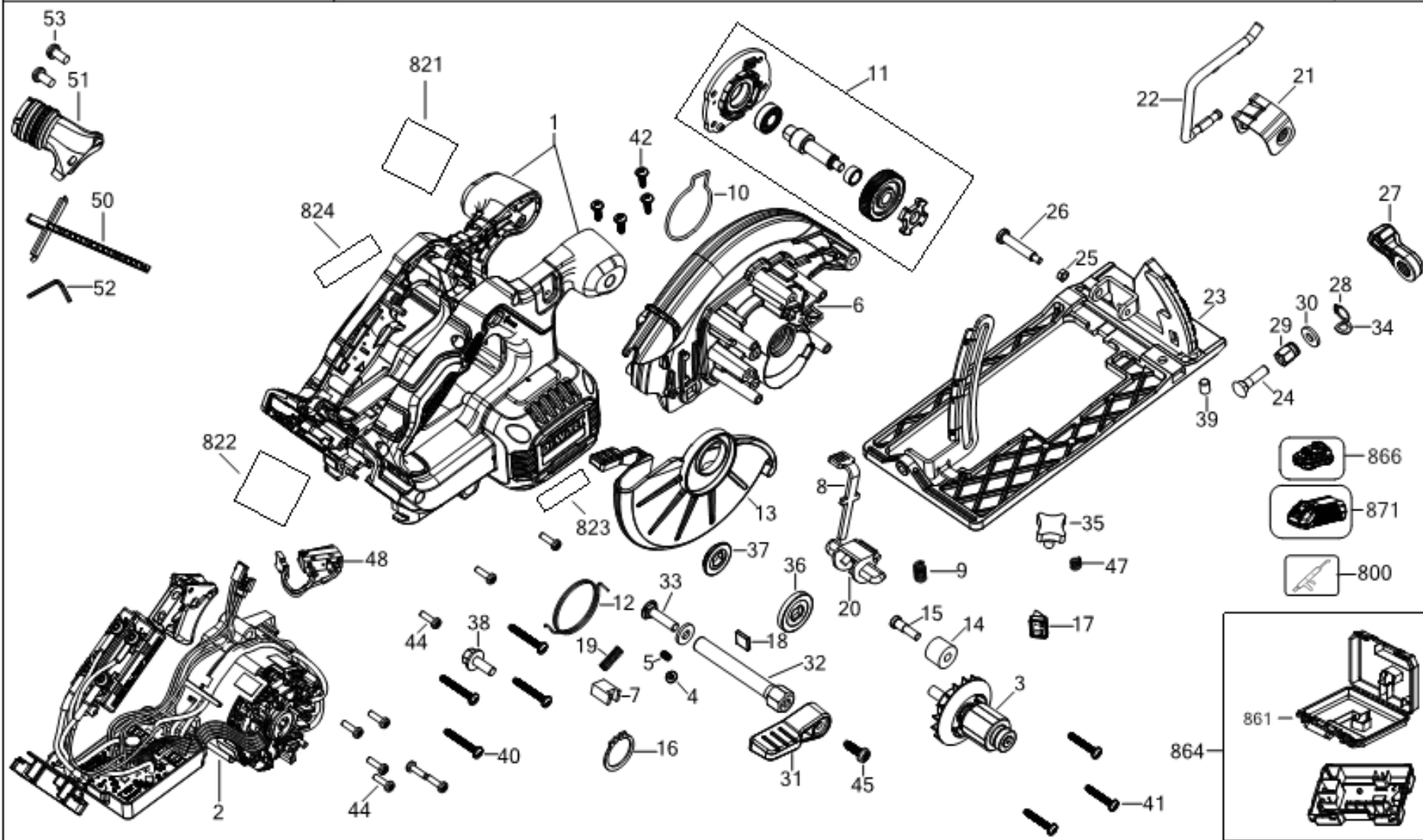


**DeWALT**

DCS512

TYP.  
1



DCS512NT CORDLESS CIRCULAR SAW 1

©

E21005

www.2helpu.com

17-11-2020

## Parts List DCS512NT CORDLESS CIRCULAR SAW 1

Item	Part Number	Qty	Part Description	General Description	Other Info	Repair Inst	Markets
1	N875820	1	CLAMSHELL SET	12V		No	XJ
2	NA045470	1	MOTOR SA			No	XJ
3	NA013219	1	ROTOR SA			No	XJ
4	N122099	1	BLOCK			No	XJ
5	N461735	1	SPRING			No	XJ
6	NA048272	1	GEARCASE SA			No	XJ
7	N786812	1	SEAL			No	XJ
8	N785962	1	SPINDLE LOCK			No	XJ
9	N640319	2	SPRING			No	XJ
10	N785935	1	O RING			No	XJ
11	NA045478	1	HUB			No	XJ
12	N786817	1	SPRING			No	XJ
13	N811996	1	GUARD LOWER			No	XJ
14	N618548	1	BUMPER			No	XJ
15	N618549	1	SCREW			No	XJ
16	N785959	1	CIRCLIP			No	XJ
17	N363247	1	LED LIGHT			No	XJ
18	N717012	1	MAGNET			No	XJ
19	N594299	1	SPRING			No	XJ
20	N803935	1	BUTTON LOCK-OFF			No	XJ
21	N843039	1	BRACKET			No	XJ
22	N843040	1	HOOK			No	XJ
23	NA048269	1	SHOE SA	EURO METRIC		No	XJ
24	N625602	1	CARRIAGE BOLT			No	XJ
25	330015-01	1	NUT			No	XJ
26	N620507	1	BOLT			No	XJ
27	N594277	1	LEVER			No	XJ
28	444793-00	1	CIRCLIP			No	XJ
29	N594297	1	SCREW			No	XJ
30	N620480	2	WASHER			No	XJ
31	N419350	1	LEVER			No	XJ
32	N819291	1	SHAFT			No	XJ

## Parts List DCS512NT CORDLESS CIRCULAR SAW 1

Item	Part Number	Qty	Part Description	General Description	Other Info	Repair Inst	Markets
33	098128-85	1	CARRIAGE BOLT			No	XJ
34	N690988	1	WASHER LOCK			No	XJ
35	396992-02	1	KNOB			No	XJ
36	N786815	1	INNER FLANGE			No	XJ
37	NA045877	1	WASHER OUTER CLAMP			No	XJ
38	N618550	1	BLADE BOLT	LH THREAD		No	XJ
39	389515-00	1	SCREW			No	XJ
40	330045-09	4	SCREW			No	XJ
41	330045-08	3	SCREW			No	XJ
42	330045-45	4	SCREW			No	XJ
43	330019-10	1	SCREW			No	XJ
44	330019-02	8	SCREW			No	XJ
45	330045-14	1	SCREW			No	XJ
47	058287-00	1	SPRING			No	XJ
48	N856492	1	SWITCH			No	XJ
50	N633323	1	FENCE			No	XJ
51	N786821	1	DUST PORT			No	XJ
52	N811994	1	HEX KEY			No	XJ
53	648197-00	2	SCREW			No	XJ
800	870889-03	1	GREASE	RENOLIT PARAGON EP ½		No	XJ
821	N875921	1	RATING PLATE			No	XJ
822	N878256	1	LABEL	FOOT QR	FOOT QR	No	XJ
823	N916769	1	BRAND LABEL			No	XJ
824	N878258	1	WARNING LABEL			No	XJ
861	N475700	1	KITBOX			No	XJ
864	NA013369	1	KITBOX	WITH TRAY	WITH TRAY	No	XJ